

Battery Guard[®] 2000



- Part number:
- 00-00660-120
- 00-00660-121
- 00-00660-122
- 00-00660-241
- 00-00660-243



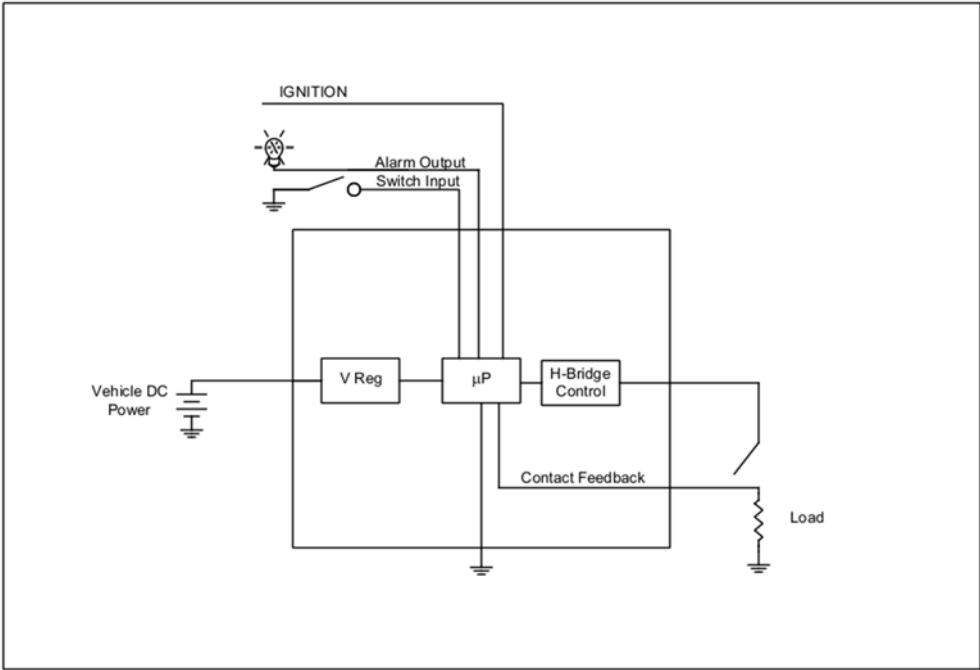
Description:

Battery Guard[®]2000 constantly monitors the available battery power when the engine or charging system is off. If the battery voltage drops below 12.1 V or 24.1 V a voltage sensitive timer is triggered within the ECU is triggered.

If the available battery voltage remains below 12.1V or 24.1V uniformly for a full 4 minutes, the ECU will pulse the Intellitec latching relay and the battery will be disconnected. By removing all loads connected to it, the Battery Guard[®] 2000 prevents any additional power consumption, allowing enough battery charge to start the engine. On versions that include automatic reconnect, The Battery Guard[®] 2000 will reconnect the loads to the battery when it senses a charging voltage.

The operator can also manually disconnect the battery by pressing and holding the reset switch for 3 seconds.

Block Diagram



Typical Arrangement



Product Features

- Manual switch to perform battery disconnect
- Alarm output indicator
- Automatic disconnect
- Automatic reconnect (specific models only)
- Ignition protected
- Available in both with and without automatic reconnect
- Available in both potted and non-potted versions

Environmental Specifications

Operating temp: -40/85° C (-40/185° F)

Storage temp: -40/85° C (-40/185° F)

Intrusion Rating: IP67 (potted versions only)

Agency approvals: None

Electrical Specifications

00-00660-120 / -121 / -122

00-00660-241 / -243

Operating supply voltage	12V	24V
Minimum supply voltage	9V	18V
Maximum supply voltage	16V	30V
Transient Voltage Protection	+150V	
Reverse supply voltage	-300V	
Quiescent Current Draw	< 1mA	
Logic Input Voltage	0V	

Mechanical Specifications

Unit

L x W x H

Housing:	Inch	4 x 3.066 x 1.5
	mm	101.6 x 77.8764 x 38.1
Module Weight:		
potted:	ounces	7.2
	grams	204
non-potted:	ounces	4
	grams	113



Connector(s): J1 Metri-Pak 150 series

A	"I"	H	LED Output
B	Battery	G	Switch Input
C	Ground	F	Ground
D	"S"	E	Ignition

Available Product Literature and Guides:

Brochure:	53-00660-000
Product Specification:	53-00660-001
User's Guide:	53-00660-100
Installation and Applications:	53-00660-110 (100A) 53-00660-220 (200A)
Supporting Documents:	53-00660-300

Available Accessory Items and Kits:

100A Battery Disconnect:	00-00055-XYZ
200A Battery Disconnect:	00-00507-XYZ
Battery Guard® 2000 Reset Switch:	11-01085-100
100A Battery Disconnect Hardware Kit:	01-00336-200
200A Battery Disconnect Hardware Kit:	N/A
100A Battery Disconnect Harness:	11-00358-011
200A Battery Disconnect Harness:	11-00358-517
100A Battery Guard® 2000 Kit:	10-00660-100 (Includes battery disconnect)
200A Battery Guard® 2000 Kit:	10-00660-200 (Includes battery disconnect)



Contact Information:

www.intellitec.com

Intellitec Products, LLC

1485 Jacobs Road, DeLand Florida, USA 32724

(386) 738-7307

