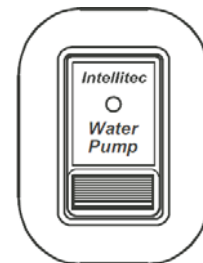
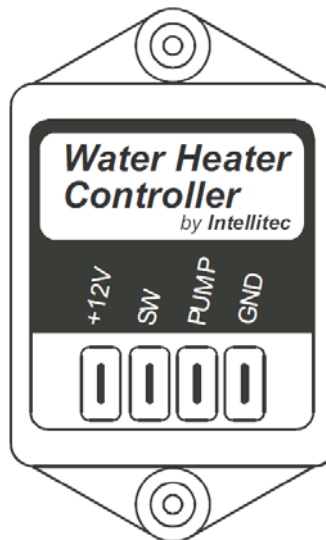
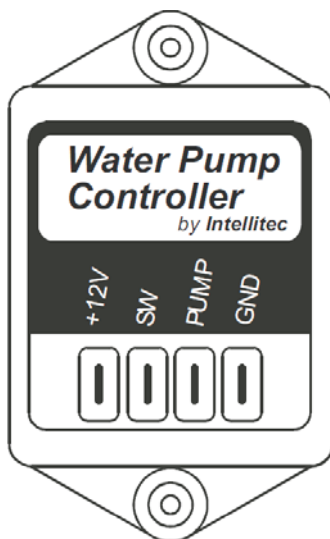


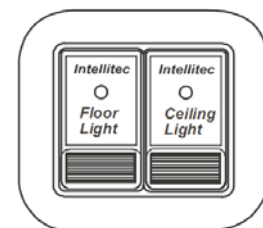
Monoplex System

Intellitec's Monoplex™ System-

"The one wire solution". These components bring simplification and increased function to the complicated wiring structure of RVs and boats.



Monoplex Single Switch



Monoplex Dual Switch

 **Intellitec**
1485 Jacobs Rd.
Deland, FL 32724
386.738.7307

P/N 53-22036-000 Rev. D 072419

Monoplex System

In a typical installation a **MONOPLEX™** Controller is located near the load to be connected, with the control wire routed to the remote switch or switches, which are located in convenient places throughout the vehicle. By using this scheme, the need to run the heavy gauge wire to each switch is eliminated, along with difficulties of connections and safety problems normally associated with conventional techniques.

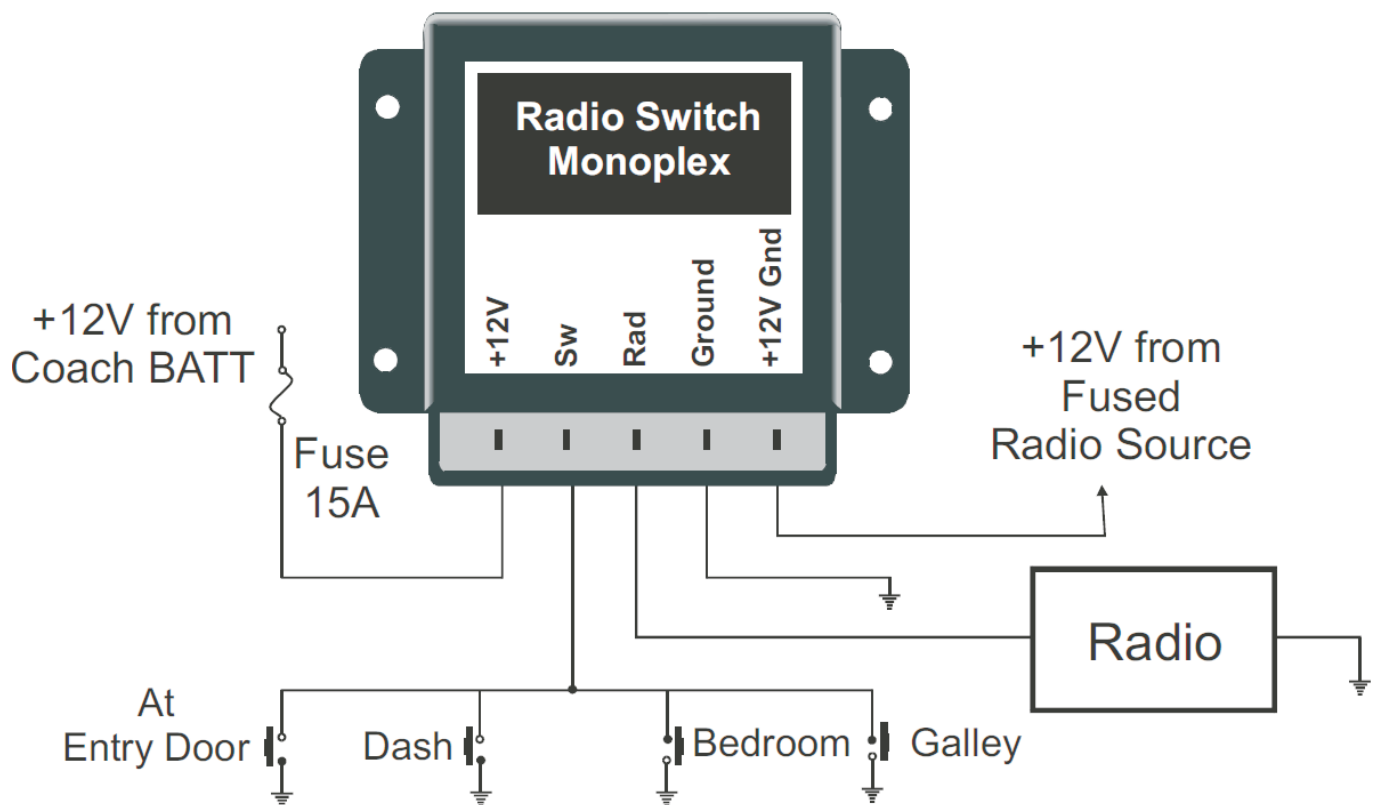
Each component of the **MONOPLEX™** System has been designed to work together, in the RV/Marine environment, to provide a high quality, simple, and trouble free product.

Specifications:

Operating Voltage: 10 to 16 VDC

Standby current draw: 2 milliamps

Operating temperature: -40 C to +85 C
(-40 F to +185 F)



 **Intellitec**
1485 Jacobs Rd.
Deland, FL 32724
386.738.7307

P/N 53-22036-000 Rev. D 072419