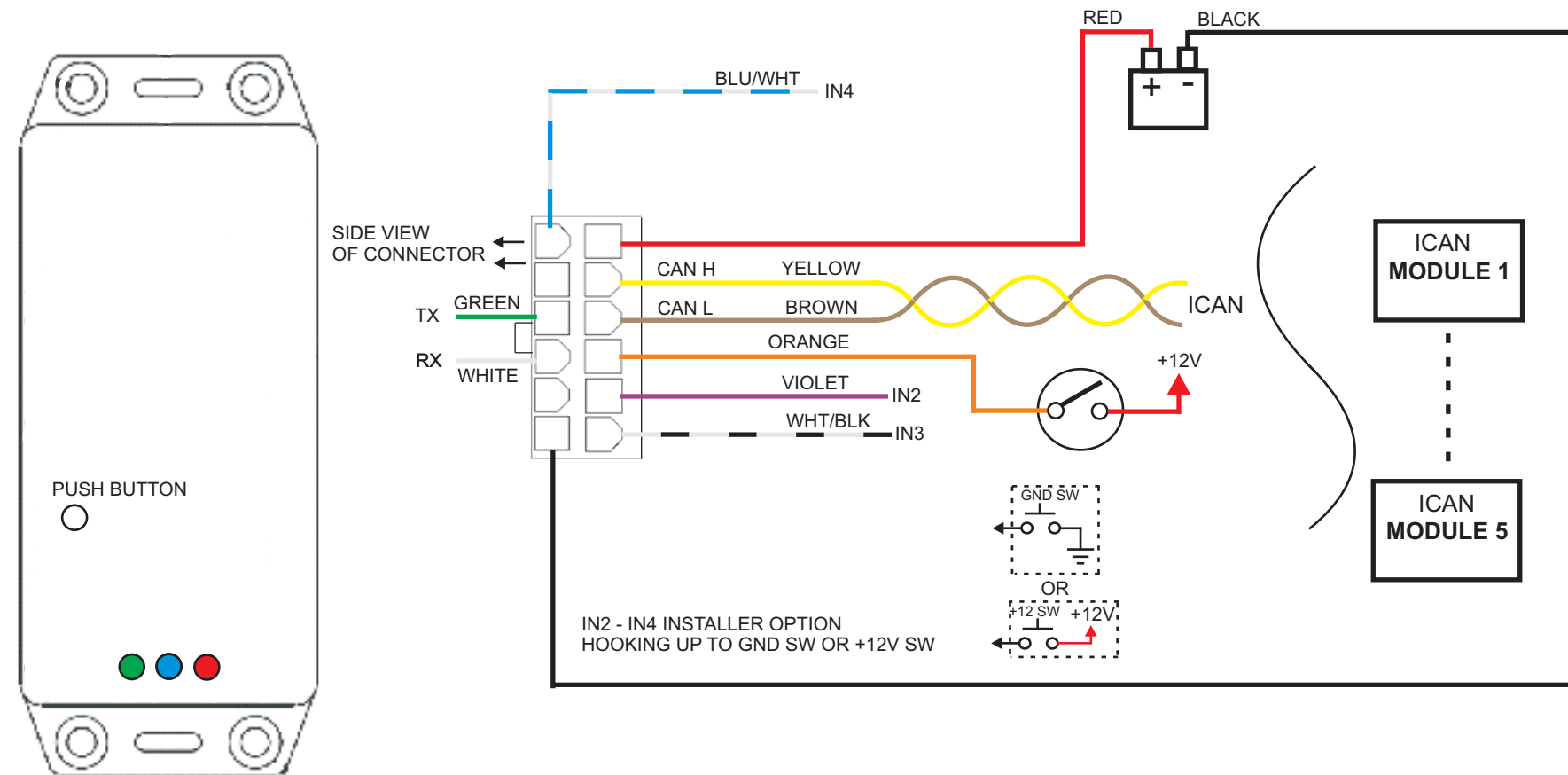




THESE INSTRUCTIONS ARE ONLY TO BE USED AS A GUIDE. IT IS THE INSTALLERS RESPONSIBILITY TO VALIDATE FOR EACH INSTALLATION.
NEITHER INTELLITEC PRODUCTS LLC, OR INTELLITEC MV Ltd CAN BE HELD RESPONSIBLE FOR VEHICLE VARIATIONS



ALL WIRES TO BE 18 GA

A	NA	RELEASE: DeLand Revision	MJS	08/7/14
REV.	ECL #	DESCRIPTION OF CHANGE	BY	DATE
		THESE DRAWINGS AND SPECIFICATIONS ARE PROPRIETARY TO INTELLITEC PRODUCTS LLC. AND NEITHER THE DRAWINGS THEMSELVES NOR ANY INFORMATION THEREON MAY BE USED WITHOUT WRITTEN PERMISSION OF INTELLITEC PRODUCTS LLC.		
1485 Jacobs Rd. DeLand, FL 32724				
ERO# 1830	DRAWN BY/DATE MJS / 08/7/14	APPROVAL/DATE	WIRING DIAGRAM	
PART DESCRIPTION WIRING DIAGRAM Bluetooth PMC CAN Module			PART NUMBER 53-01094-200	